

# TED10NM (WP) WEATHERPROOF TWIN-SPOT LED

OUR WEATHERPROOF TWIN-SPOT IS WELL PREPARED IN HARSH ENVIRONMENTAL CONDITIONS.

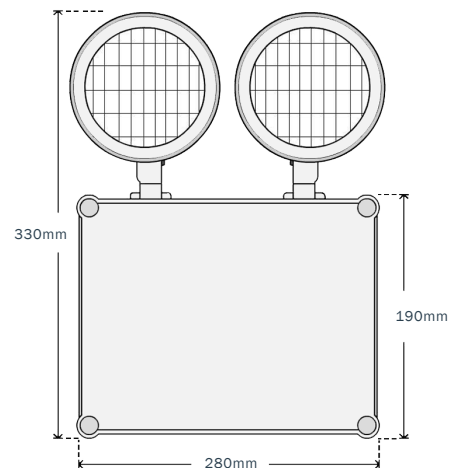


## Ordering Guide:

### Ordering Code

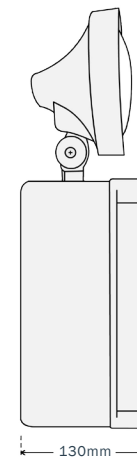
TED10NM(WP)

- Low Heat generation, ensures long and reliable service life.
- Low battery voltage cut-off with latch function, to eliminate battery over discharge.
- Charge LED indicator and test switch available
- Weatherproof design suitable for outdoor applications and high risk task areas.
- Adjustable lens optimum for matching light output to applications.



## TECHNICAL SPECIFICATIONS

<b>MODEL NO:</b>	<b>TED10NM (WP)</b>
Mode of Operation:	Non-Maintained
Lamp:	2 x 3W Power LED Module
Rated Duration:	2 Hours
Mains Supply:	220-240 Volts, 50-60Hz
Power Consumption:	< 1.5W
Battery:	High Temperature Nickel Cadmium
Charger:	Regulated variable rate
Charge Monitor:	LED
Test Facility:	Momentary test switch
Safety Features:	Low battery voltage cut off to prevent over discharge
Fitting Construction:	Moulded Fire retardant (UL94) housing and diffuser.
Weight:	Approx. 2.5 Kg
Dimensions:	330mm (W) x 280mm (H) x 130mm (D)
Standards / Compliance:	SS IEC 60598-2-22, SS 563



CLASS II



Type and batch tested with PSB PLS-LISTED LABEL

IP65